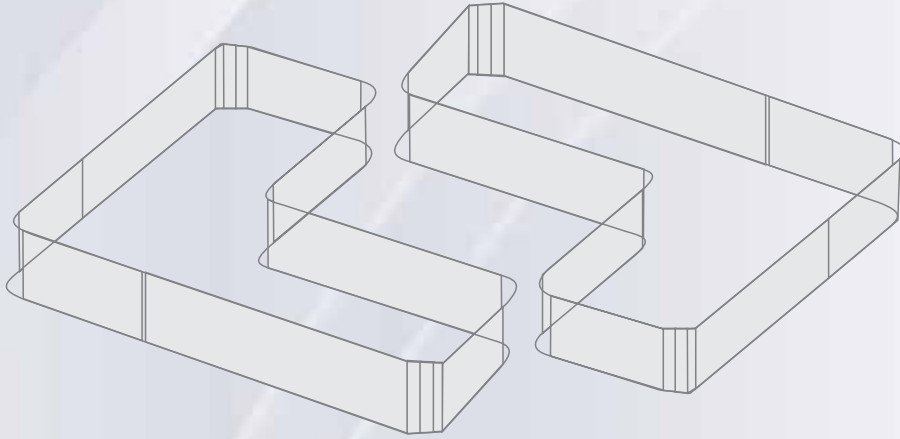




E A S T E R N
I N T E R N A T I O N A L
M E T A L L I C
I N D U S T R I E S

الشركة العالمية
لصناعة الاشغال المعدنية

A MEMBER OF BUKHATIR GROUP



Quality & Commitment

Aluminium, Glass and Light Metals

Introduction

Eastern International Metallic Industries is a division of the Bukhatir Group and specializes in aluminium and glazing works. The Company is ISO 9001, ISO 14001 and OHSAS 18001 certified.

Our passion is creating exceptional and sustainable aluminium products. Our strength is our unwavering commitment to quality; quality in our products, quality in our relationships and quality in our reputation within the industry. Eastern International Metallic Industries offers a complete facade solution, custom designed and built for building external envelopes. From design to handing over we stay true to our commitment of quality and delivery on time.

Our production line is equipped with the latest benchmark machines supplied by Elumatec from Germany & Emmeji from Italy. Both are leaders in the aluminium machinery industry.

We have executed a large number of projects for various Ministries, the UAE Armed Forces, Universities, Municipalities, Privates Sector Developers and Governmental Companies.



Our Vision

- To create a brand in terms of customer satisfaction.
- To achieve sustainable growth in the company's business size and profit.

Our Core Values

To provide the highly specialized aluminium products required by modern day projects, our team of professionals uses leading edge technologies along with modern management tools to identify new opportunities and drive business process improvements across all of our activities.

We believe in integrity, commitment to excellence, the human factor is a key to success and we have a total commitment to our clients. Eastern International Metallic Industries considers standing up to its promises as unconditional.

- We continually strive to improve our processes and products.
- We believe in continual staff and labor training and improving knowledge and job satisfaction.
- We source high quality materials only.
- We use the best equipment available for a high quality end product.
- We believe that the client is entitled to expect a first-class after sales service for the lifetime of the building.

Products & Services

Eastern International Metallic Industries prime business is the design, engineering, manufacturing and installation of all types of facade systems. Our services span all products from advanced to traditional curtain wall systems as well as external wall cladding applications.

We offer the most up to date technologies which meet global standards.

Stick & Unitized Curtain Walls

- Conventional
- Structural Glazing (2 way and 4 way)

Skylights

- Aluminium framed
- Spider Glazed

Canopies and Sun Shades

- Aluminium Profiles
- Steel with ACP
- Stainless Steel with Glass

Spider Facades

- Using Glass Fins
- Using Steel Structures
- Using Tension Cables or Rods

Doors & Windows

- Hinged & Sliding
- Thermal Break
- Non-Thermal

Cladding Panels and Rainscreen Systems

- Aluminium Composite Panels
- Aluminium Solid Panels
- Stainless Steel Panels

Handrails & Balustrades

- Aluminium, Glass, Stainless Steel



Resources & Capabilities

Eastern International Metallic Industries has more than 20 years experience in the facade industry and in aluminium, glass & metalwork fabrication and installation. We provide the best solutions, we employ experienced resources and we produce high quality finished products.

Eastern International Metallic Industries is an approved fabricator for a number of recognised international and local systems & suppliers.

Our company is highly efficient and our products are finished to an excellent quality, which makes us confident that we have the capability to work on any type of project successfully.

Our factory is equipped with the latest high-tech NC & CNC machining cutters and centres, which ensures we achieve the best industry tolerances possible.



Suppliers

Eastern International Metallic Industries has strategic partnerships with recognised international and local aluminium system suppliers.

International Aluminium System Suppliers:

- Technal
- Gutmann
- Schuco
- Alustet

Eastern International Metallic Industries is an approved fabricator for these systems.

Local Aluminium System Suppliers:

- Gulf Extrusions
- Al Jaber Extrusions
- Arabian Extrusions (AREXCO)



Project: Els Golf Course Club
Location: Sports City, Dubai
Client: Victory Heights
Consultant: Brewer Smith Brewer Gulf



Project: G+M+4 Floors (IT Bldg)
Location: Barsha, Dubai
Client: Emirates NBD
Consultant: Arif & Bint oak



Project: 1000+ Luxury Villas
Location: Sports City, Dubai
Client: Victory Heights Property
Consultant: Diar



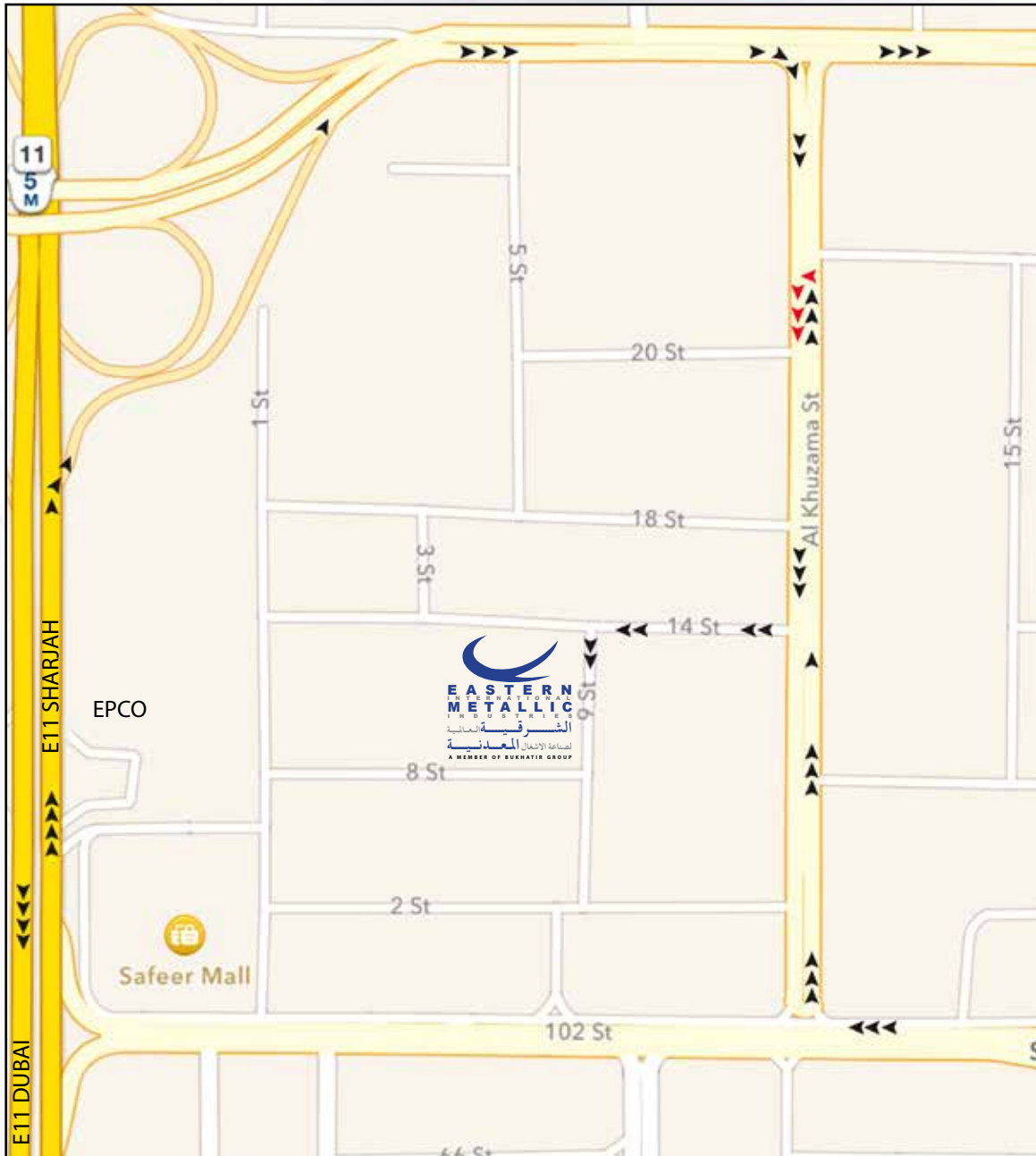
Project: G+13 Floors (Emirates NBD Residential Bldg)
Location: Mamzar, Dubai
Client: Emirates NBD
Consultant: Arif & Bint oak



Project: American School of Creative Science
Location: Sharjah
Client: SCS Education
Consultant: Mimar



Project: G+3P+10 Floors+Pool & Gym.
Location: Abu Shagara, Sharjah
Client: Utmost Properties
Consultant: Arab & Turk International



Location: Industrial Area 7, 14 Street Sharjah (behind Safer Mall)

Tel: +971 6 531 4027 **Fax:** +971 6 531 6598

P.O. Box: 1596 Sharjah, UAE

www.easternllc.ae

PRINCIPAL BUSINESS ACTIVITY: Aluminium, Glass & Light Metal Manufacturing & Contracting
PRIVATE LIMITED COMPANY (100% UAE LOCAL COMPANY)

